

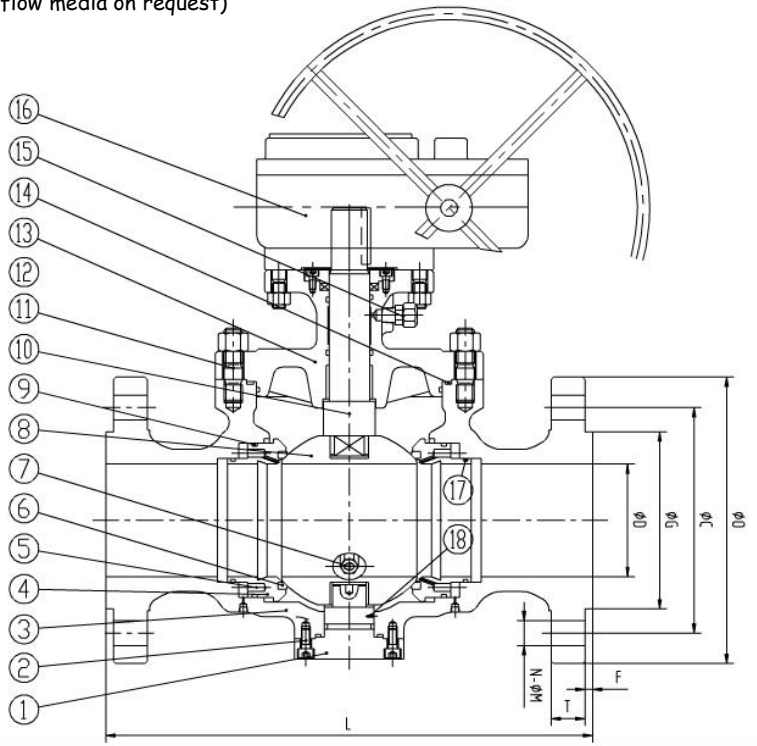
Trunnion Mounted Top Entry Ball Valve

TOP-ENTRY TRUNNION BALL VALVE,
Class150 Class300 Class600,
API6D, CE,ATEX,FIRE SAFE,NACE MR-0175

KARLEIM Valve trunnion mounted ball valves are widely used in gas process or transportation industry for conventional on-off, emergency shut off and quick opening and controlling the flow. The leakage rate of the soft seated trunnion mounted ball valves can reach rate VI or zero leakage. Top flange is designed per ISO5211 for easy amount various type of actuators. The ball is fitted into the valve body from the top, thus for repair work.

Application: Industry, Powerstations, Flue gas purification plant, processing technology, gas supply, vapour facilities, recycling facilities, vacuum facilities, hot water, heating technology, district heating, thermal oil applications, general plant manufacturing, etc. (other applications on request)

Medium : Steam, gases, hot water, thermal fluids, hot oil, process water, vacuum facilities, ammonia etc.(other flow media on request)



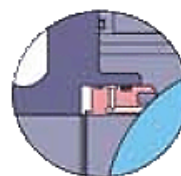
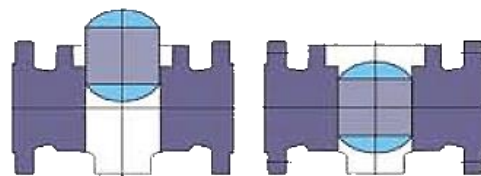
- Connection Form: Flange ANSI B16.10 RF
- Structure: Trunnion Ball Valve
- Full bored
- Nominal Pressure: CLASS 150-600
- Temperature: <200°C

No.	Part	Material	No.	Part	Material
1	Trunnion	ASTM A 126 WCB/SS316L	10	Stem	AISI SS 316L
2	Bolt	A193 B8	11	Bolt	A 193 B8
3	Body	ASTM A 126 WCB	12	Nut	A 194 8
4	Seat Ring	SS321	13	Bonnet	ASTM A 126 WCB
5	Spring	X750	14	Gasket	304+Graphite
6	Seat	Viton	15	Inject Fitting	Assembly part
7	Drain Plug	Assembly part	16	Wormgear	Assembly part
8	Ball	AISI SS316L (CF8M)	17	O-ring	NBR
9	O-ring	NBR	18	Anti-static device	Assembly part

Trunnion Mounted Top Entry Ball Valve

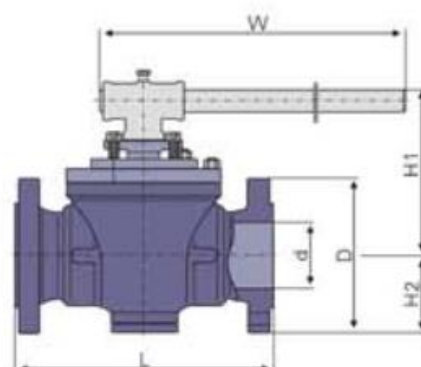
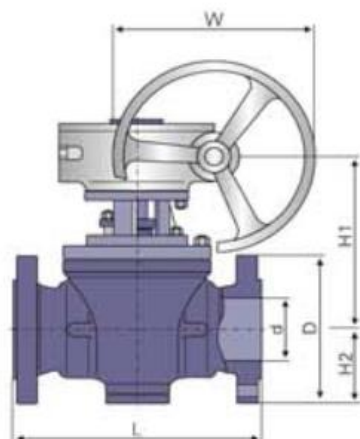
Top Entry:

- The ball is fitted into the valve body from the top, thus for repair work.
- Seat inter-rolled can prevent the seat inserts being washed out.



Features:

- Design according to API6D
- ASME B 16.34
- Inspection test to API598
- Flanged to ASME B16.5, DIN 2543-2550
- Material to NACE Mr0175
- Fire safe as per API607, API6FA
- ISO 5211 top flange.
- Optional various actuator.



Dimensions:

Size	CLASS 150 LB					CLASS 300 LB		
	G	L	H1	H2	Weight	H2	Weight	
in	mm	mm	mm	mm	Kg	mm	Kg	
2	51	292	170	76	46	83	49	
3	76	356	210	95	83	105	87	
4	102	432	250	115	156	127	164	
6	152	559	265	140	256	159	272	
8	203	660	355	172	453	191	479	
10	254	787	385	203	622	222	657	
12	305	838	400	242	747	261	783	
14	337	889	450	267	959	292	1007	
16	387	991	510	299	1220	324	1281	
18	438	1092	565	318	1640	256	1722	
20	489	1194	620	349	2118	388	2224	
24	591	1397	680	407	2950	457	3100	